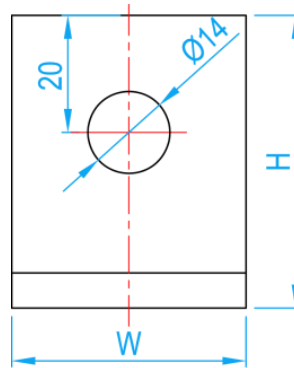
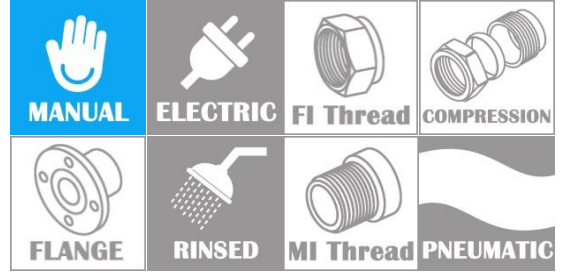
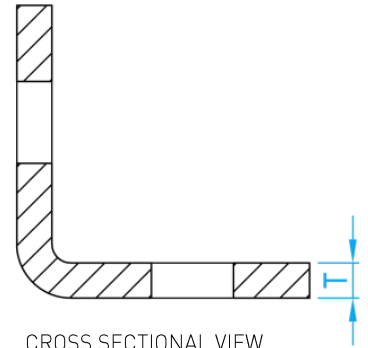


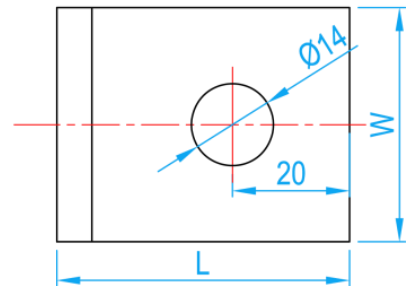
# UNISTRUT SLOTTED BRACKET



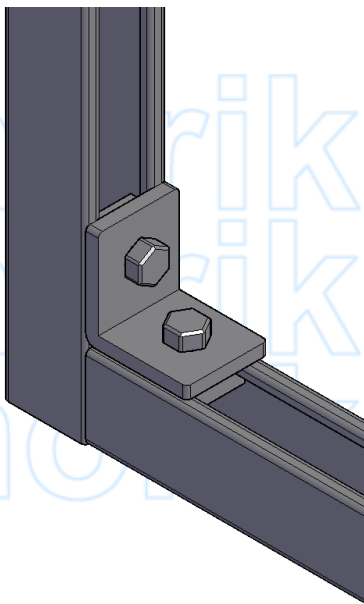
SIDE VIEW



CROSS SECTIONAL VIEW



SIDE VIEW



INSTALLATION ASSEMBLY

## COMPONENT PARTS

MATERIAL	Mild Steel
COATING	Cold Galvanized

## DIMENSIONS

SKU	W (mm)	H (mm)	L (mm)	T (mm)	WEIGHT (kg)	PCS/CTN
OLSBA50	40	50	50	6	0.145	100